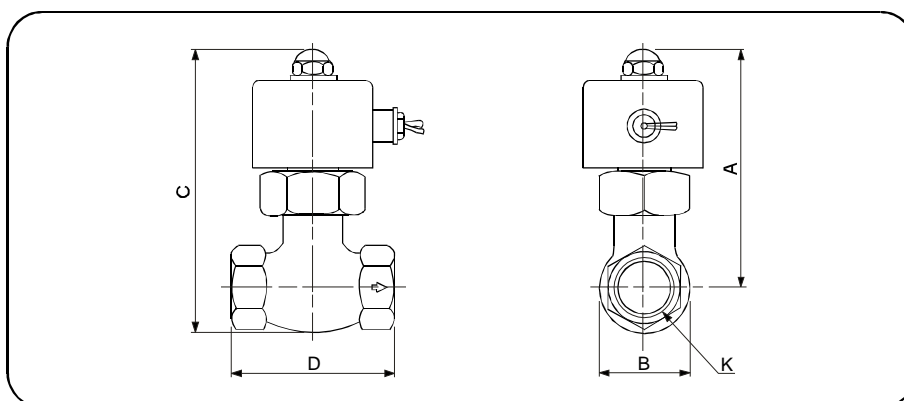
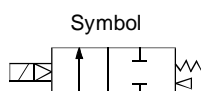


2 Port Solenoid Valve

Series 2L (High temperature type)

◆ Dimensions

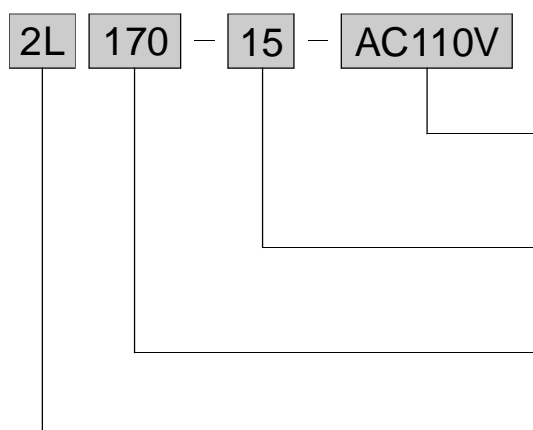


Model/Item	A	B	C	D	K
2L170-15	122.4	42	143.4	82	1/2
2L170-20	122.4	42	143.4	82	3/4
2L200-25	130	52	156	90.5	1
2L300-35	148	74	185	111	1-1/4
2L300-40	147	74	183	111	1-1/2
2L500-50	176	86	223	163	2

◆ Specifications

Model	2L170-15	2L170-20	2L200-25	2L300-35	2L300-40	2L500-50
Fluid	Air, Water, Steam					
Action	Internally pilot acting, normally closed					
Type of actuation	2 port 2 position					
Orifice size	17mm		20mm	30mm		50mm
Cv	4.8		12	20		48
Port size	1/2	3/4	1	1-1/4	1-1/2	2
Viscosity limit	Under 20CST					
Operating pressure range	Steam, Water, Air: 0.1~1.5 MPa					
Proof pressure	2.25 MPa					
Ambient and fluid temperature	-5~180°C (No freezing)					
Allowable voltage range	±10% of rated voltage					
Material of body	Brass					
Seal material	PTFE					

◆ How to Order



Rated voltage

DC12V		DC24V		AC24V	50/60Hz
AC110V	50/60Hz	AC220V	50/60Hz	AC380V	50/60Hz

Port size

15	1/2	20	3/4	25	1
35	1-1/4	40	1-1/2	50	2

Orifice size

170	17mm	200	20mm	300	30mm	500	50mm
-----	------	-----	------	-----	------	-----	------

Model

2L	2 port 2 position solenoid valve for steam used
----	---

※ Note): Please consult us for other voltage and port size.