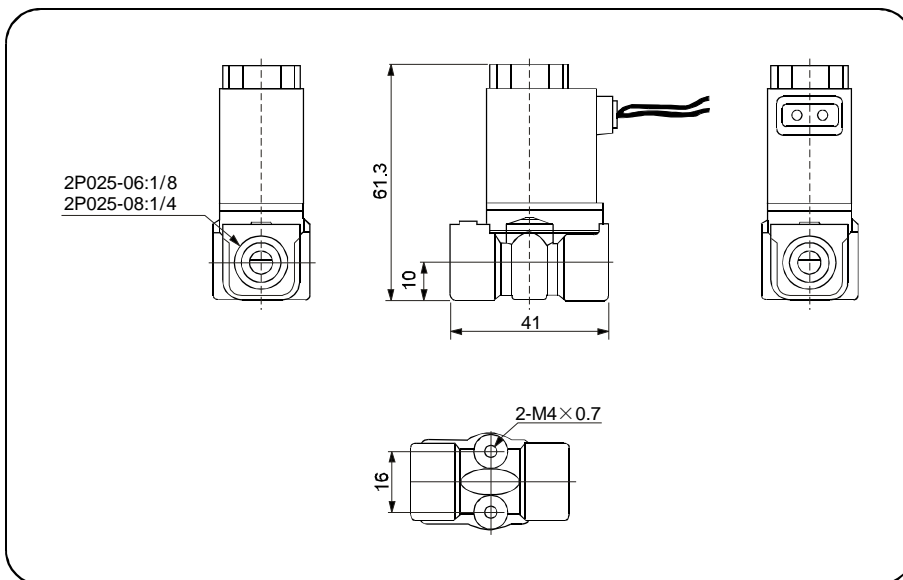
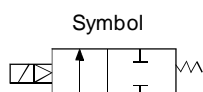


2 Port Solenoid Valve Series 2P



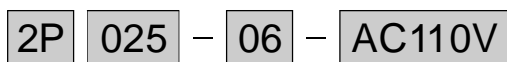
◆ Dimensions



◆ Specifications

Model	2P025-06	2P025-08
Fluid	Air, Water, Oil	
Action	Direct acting, normally closed	
Type of actuation	2 port 2 position	
Orifice size	2.5mm	
Cv	0.23	
Port size	1/8	1/4
Viscosity limit	Under 20CST	
Operating pressure range	0~0.7 MPa	
Proof pressure	1.05 MPa	
Ambient and fluid temperature	-5~80℃ (No freezing)	
Allowable voltage range	± 10% of rated voltage	
Power consumption	AC: 7VA/60Hz 9VA/50Hz DC: 6W	
Material of body	Plastic steel	
Seal material	VITON	

◆ How to Order



Rated voltage

DC12V	DC24V	AC24V	50/60Hz
AC110V	50/60Hz	AC220V	50/60Hz
AC380V	50/60Hz		

Port size

06	1/8	08	1/4
----	-----	----	-----

Orifice size

025	2.5mm
-----	-------

Model

2P	2 port 2 position solenoid valve (plastic steel type)
----	---

II

- VF
- SY
- SYJ
- 4V100
- 4V200
- 4V300
- 4V400
- VT307
- VP
- 3V
- 2W
- 2WH
- 2L
- 2V
- 2P
- VFA
- SYA
- 4A100
- 4A200
- 4A300
- 3A100
- 3A200
- 3A300
- 3L
- 4L
- 4H
- SL,SH
- 4HV
- HV,K
- 3FM
- 3F
- 4F
- FV
- MSV
- MOV
- JM
- TAC
- HSV
- RE
- ASC
- KA
- ACV
- KS
- QE
- Manifold