

# 3 Port Air Operated Valve

Body Ported

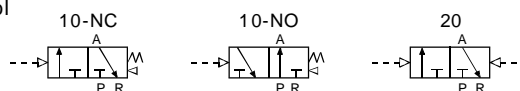
## Series 3A200



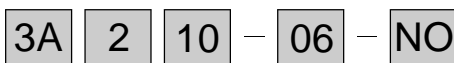
### ◆ Specifications

Model	3A210-06	3A220-06	3A210-08	3A220-08
Fluid	Air			
Action	Exterior control			
Port size	In=Out=1/8		In=Out=1/4	
Type of actuation	3 port 2 position			
Ambient and fluid temperature	-5~60°C (No freezing)			
Orifice size	14mm <sup>2</sup> (Cv=0.78)		16mm <sup>2</sup> (Cv=0.89)	
Lubrication	Not required			
Operating pressure range	0.15~0.8 MPa			
Proof pressure	1.2 MPa			
Material of body	Aluminum alloy			
Max. operating frequency	5 Hz			

Symbol



### ◆ How to Order



#### Action

<b>NO</b>	Normally open*	<b>NC</b>	Normally close
-----------	----------------	-----------	----------------

\* NO (Normally open) only for single acting type.

#### Port size

<b>06</b>	1/8	<b>08</b>	1/4
-----------	-----	-----------	-----

#### Type of actuation

<b>10</b>	Single acting	<b>20</b>	Double acting
-----------	---------------	-----------	---------------

#### Series

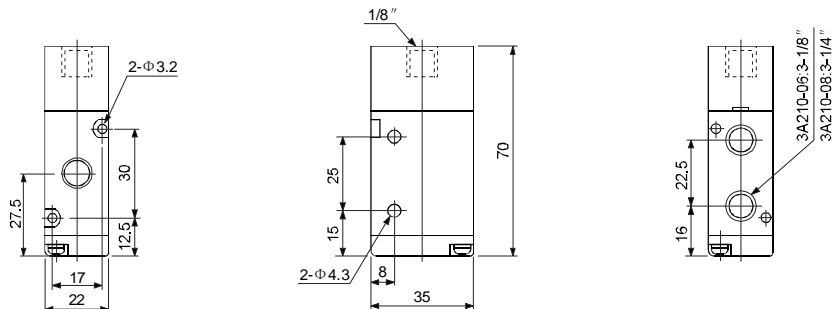
<b>2</b>	200 Series
----------	------------

#### Model

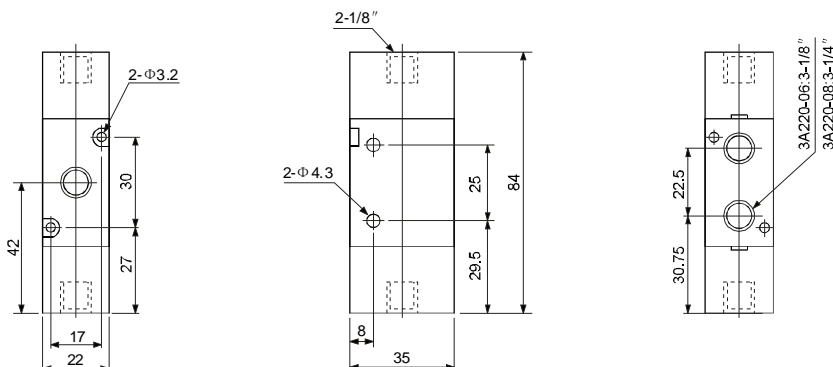
<b>3A</b>	3 port 2 position air valve
-----------	-----------------------------

### ◆ Dimensions

#### 3A210



#### 3A220



II

- VF
- SY
- SYJ
- 4V100
- 4V200
- 4V300
- 4V400
- VT307
- VP
- 3V
- 2W
- 2WH
- 2L
- 2V
- 2P
- VFA
- SYA
- 4A100
- 4A200
- 4A300
- 3A100**
- 3A200**
- 3A300
- 3L
- 4L
- 4H
- SL,SH
- 4HV
- HV,K
- 3FM
- 3F
- 4F
- FV
- MSV
- MOV
- JM
- TAC
- HSV
- RE
- ASC
- KA
- ACV
- KS
- QE
- Manifold