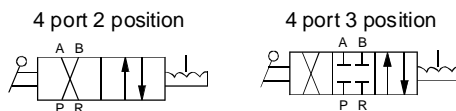


4 Port Hand Lever Valve Series 4HV



Symbol



◆ Specifications

Model	4HV2□□-06	4HV2□□-08	4HV3□□-08	4HV3□□-10	4HV□□-15	4HV4□□-20
Fluid	Air					
Type of actuation	4 port 3 position, 4 port 2 position					
Port size	1/8	1/4		3/8	1/2	3/4
Flow area	14mm ² (Cv=0.78)	16mm ² (Cv=0.89)	30mm ² (Cv=1.67)	33mm ² (Cv=1.83)	88mm ² (Cv=4.89)	95mm ² (Cv=5.27)
Operating pressure range	0~1 MPa					
Proof pressure	1.5 MPa					
Ambient and fluid temperature	-5~60°C (No freezing)					
Operating angle	90°					

◆ How to Order

4HV 2 30 - 06 - S

Mounting type

Nil	Body Mounting	S	Panel Mounting
-----	---------------	----------	----------------

Port size

06	1/8	08	1/4	10	3/8
15	1/2	20	3/4		

Type of actuation

10	4 port 2 position	30	4 port 3 position
-----------	-------------------	-----------	-------------------

Series

2	200 series	3	300 series	4	400 series
----------	------------	----------	------------	----------	------------

Model

4HV	Hand lever valve
------------	------------------

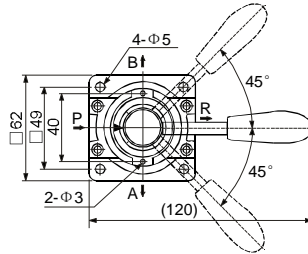
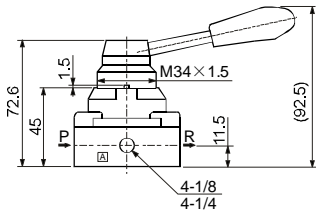
II

- VF
- SY
- SYJ
- 4V100
- 4V200
- 4V300
- 4V400
- VT307
- VP
- 3V
- 2W
- 2WH
- 2L
- 2V
- 2P
- VFA
- SYA
- 4A100
- 4A200
- 4A300
- 3A100
- 3A200
- 3A300
- 3L
- 4L
- 4H
- SL,SH**
- 4HV**
- HV,K
- 3FM
- 3F
- 4F
- FV
- MSV
- MOV
- JM
- TAC
- HSV
- RE
- ASC
- KA
- ACV
- KS
- QE
- Manifold

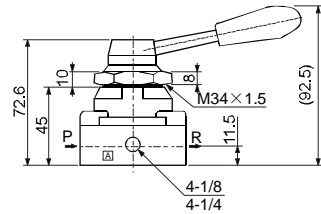
4 Port Hand Lever Valve Series 4HV

◆ Dimensions

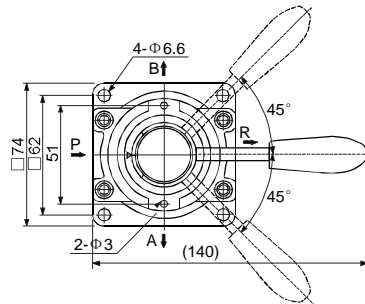
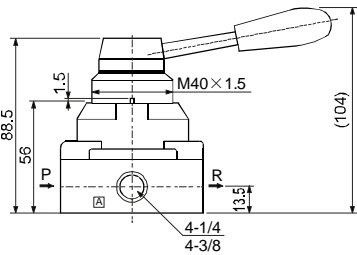
4HV200 Body Mounting



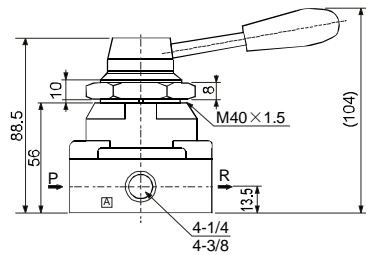
Panel Mounting



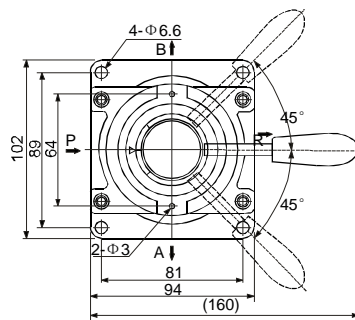
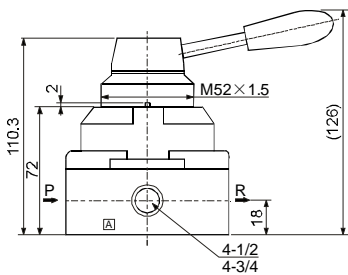
4HV300 Body Mounting



Panel Mounting



4HV400 Body Mounting



Panel Mounting

