

# Air Filter

## Series AF1000 to 5000

### ◆ How to Order

AF3000 — [ ] 03 DG

#### Accessories (Options)

Symbol	Description	Applicable model
Nil	—	—
B	Bracket	AF2000 to AF5000
C	Float auto drain(N.C.)	AF2000 to AF5000
D	Float auto drain(N.O.)	AF2000 to AF5000
	Press.differential auto-drain	AF1000 to AF2000

#### Port size

Symbol	Port size	Applicable model
M5	M5×0.8	AF1000
01	1/8	AF2000
02	1/4	AF2000 / AF3000
03	3/8	AF3000 / AF4000
04	1/2	AF4000
06	3/4	AF4000 / AF5000
10	1	AF5000

#### Thread

Nil	Metric thread (M5)/Rc (PT)	N	NPT	F	G
-----	----------------------------	---	-----	---	---

#### Model

Series	Equipment
AF1000	Air filter (AF)
AF2000	
AF3000	
AF4000	
AF5000	



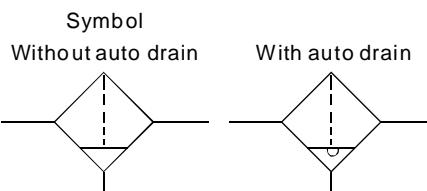
AF2000



AF3000



AF5000



### ◆ Specifications

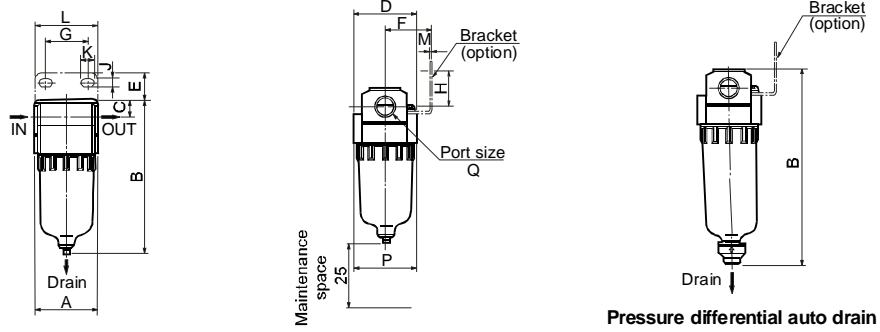
Model	AF1000	AF2000	AF3000	AF4000	AF4000-06	AF5000
Port size	M5×0.8	1/8,1/4	1/4,3/8	3/8,1/2	3/4	3/4,1
Fluid	Air					
Proof pressure	1.5 MPa					
Max.operating pressure	1.0 MPa					
Flow(ℓ/min(ANR))(Port size)	110(M5×0.8)	750(1/4)	1500(1/4,3/8)	4000(3/8,1/2)	6000(3/4)	7000(3/4,1)
Ambient and fluid temperature	-5~60°C (No freezing)					
Filtration	5 μm					
Bowl material	Polycarbonate					
Bowl capacity	2.5	8	23	45	45	45
Weight (kg)	0.07	0.19	0.29	0.55	0.58	1.08
Accessory(standard)	Bowl guard	—	—	●	●	●

# Air Filter Series AF1000 to 5000

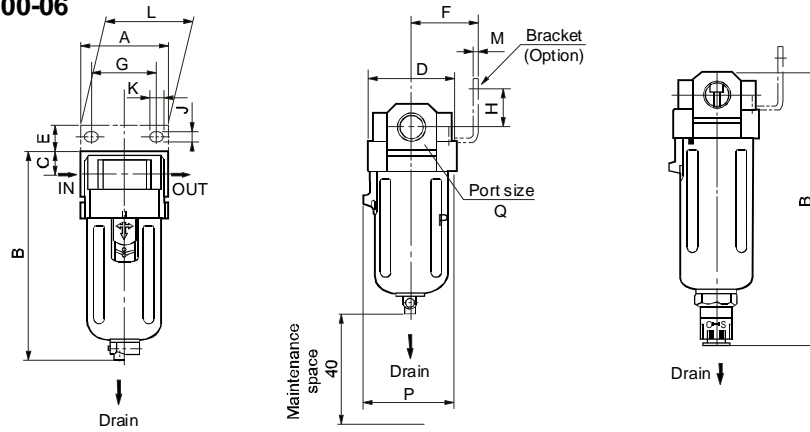
**ANSSION**  
PNEUMATIC & HYDRAULIC

◆ Dimensions

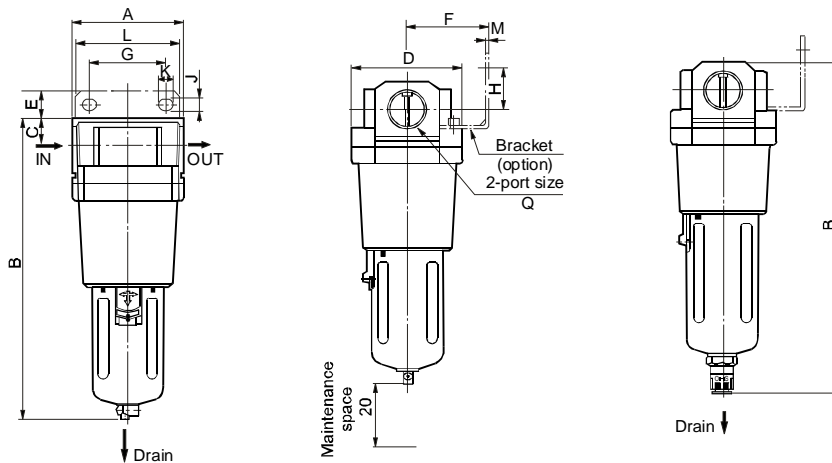
**AF1000, AF2000**



**AF3000, AF4000, AF4000-06**



**AF5000**



III

- AD401,402
- AC
- AW
- AF**
- AR
- AL
- UFRL
- UFR/L
- UFR
- UF
- UR
- UL
- FRL700A
- FRL600A
- FR500A
- F200A
- NR200
- R 200
- L200A
- AAC,ABC
- AAFC,ABFC
- AAFR,ABFR
- AAF,ABF
- AAR,ABR
- AAL,ABL
- SFC
- SFR
- SL

Model	Port size	A	B	C	D	Bracket mounting size								P	With auto drain	
						E	F	G	H	J	K	L	M		Float	Press.Diff.
															B	B
AF1000	M5×0.8	25	66	7	25	—	—	—	—	—	—	—	—	27.5	—	86.5
AF2000	1/8,1/4	40	97.5	11	40	17	30	27	22	5.4	8.4	40	2.3	40	—	120.5
AF3000	1/4,3/8	53	129	14	53	16	41	40	23	6.5	8	53	2.3	59	170	—
AF4000	3/8,1/2	70	165	18	70	17	50	54	26	8.5	10.5	70	2.3	73	206	—
AF4000-06	3/4	75	169	20	70	14	50	54	25	8.5	10.5	70	2.3	73	210	—
AF5000	3/4,11	90	244	24	90	23	70	66	35	11	13	90	3.2	—	285.5	—